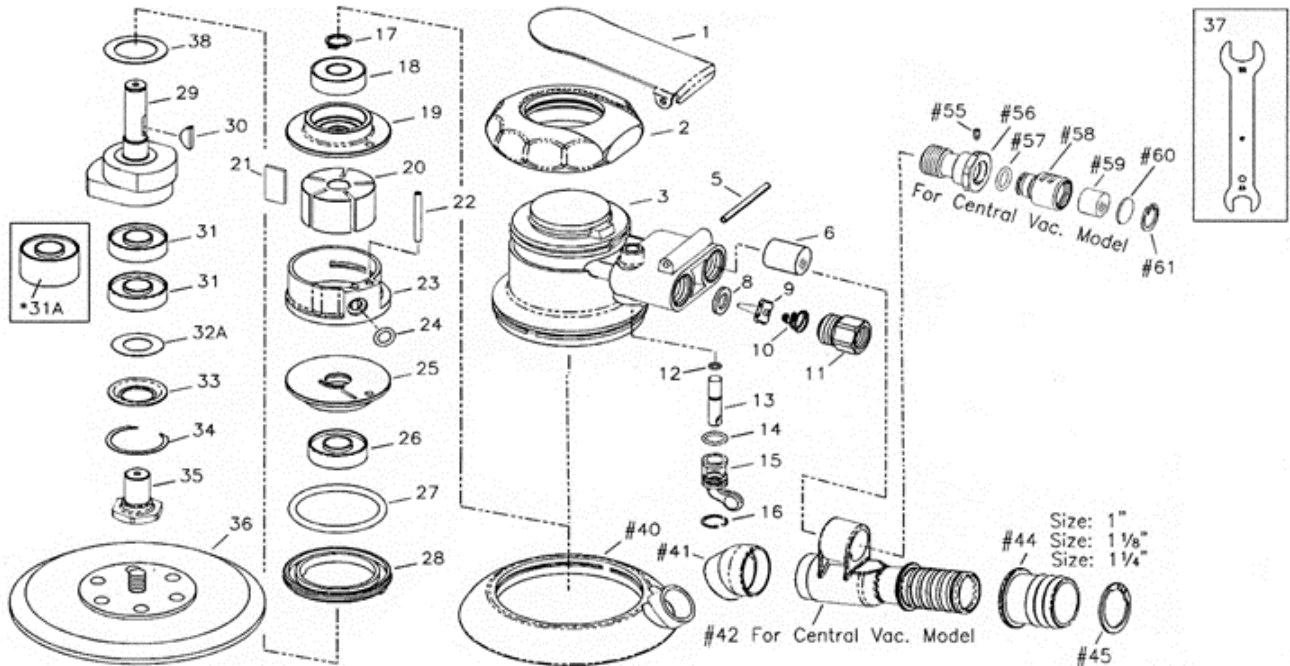


GP-0424/ 0424A RANDOM ORBITAL SANDER



| PART No. | DESCRIPTION |
|----------|-------------------|
| 1 | Valve lever |
| 2 | Housing cover |
| 3 | Motor housing |
| 5 | Spring pin |
| 6 | Muffler |
| 8 | Valve seat ** |
| 9 | Throttle valve ** |
| 10 | Spring ** |
| 11 | Hose fitting ** |
| 12 | O-ring ** |
| 13 | Valve tappet ** |
| 14 | O-ring ** |
| 15 | Regulator ** |
| 16 | Snap ring ** |
| 17 | Snap ring |
| 18 | Ball bearing |
| 19 | Upper end plate |
| 20 | Rotor |
| 21 | Blade (5) ** |
| 22 | Spring pin |
| 23 | Cylinder |
| 24 | O-ring |
| 25 | Lower end plate |
| 26 | Ball bearing |
| 27 | O-ring |
| 28 | Retainer nut |
| *29G | Shaft, 6" x 2.5mm |
| *29H | Shaft, 6" x 5mm |

| PART No. | DESCRIPTION |
|----------------|--|
| 30 | H/R key ** |
| *31A | Ball bearing |
| 31 | Ball bearing (2) ** |
| 32A | Dust seal |
| 33 | Washer |
| 35 | Pad retainer |
| 34 | Snap ring |
| *36 | 6" Non-vac. hook pad (w/o holes) |
| (#G-110R6) *36 | 6" Vac. hook pad (w/ holes) |
| 37 | Pad wrench |
| 38 | Felt |
| #40 | 5" / 6" Vac. shroud |
| #41 | Vacuum adapter |
| #42 | Exhaust fitting |
| #44 | Hose adapter (1") |
| *#44 | Hose adapter (1-1/8") |
| *#44 | Hose adapter (1-1/4") |
| #45 | Snap ring |
| #55 | Screw (2) |
| #56 | Central vac. retainer |
| #57 | O-ring |
| #58 | Swivel muffler |
| #59 | Muffler |
| #60 | Plate |
| #61 | Snap ring |
| #K1 | Motor Kit (#20,21,24,30) |
| #K2 | Valve & Inlet Kit (#8,9,10,12,13,14,15,16) |

* Option parts ** Consumption parts # Parts for vacuum models